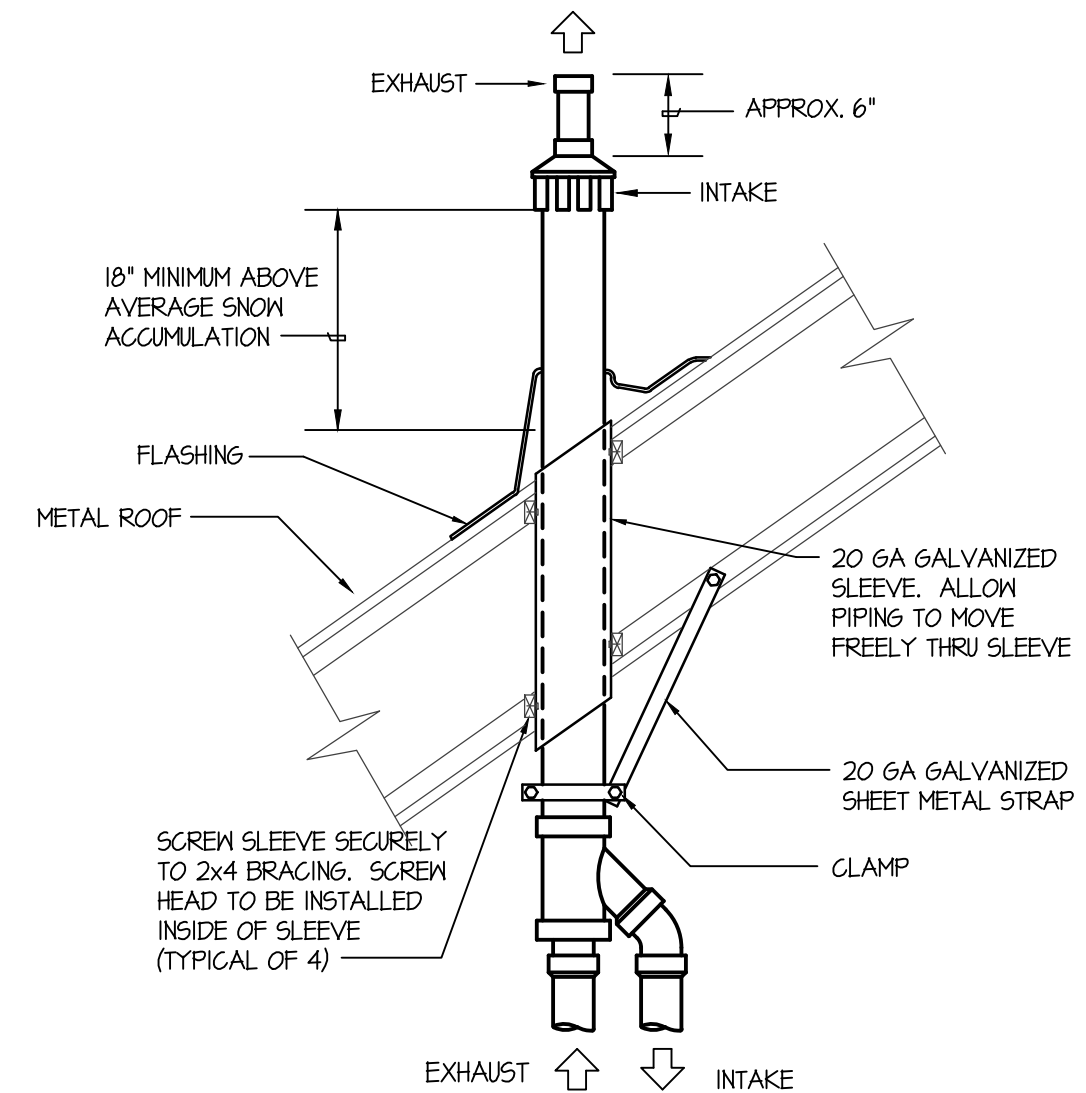
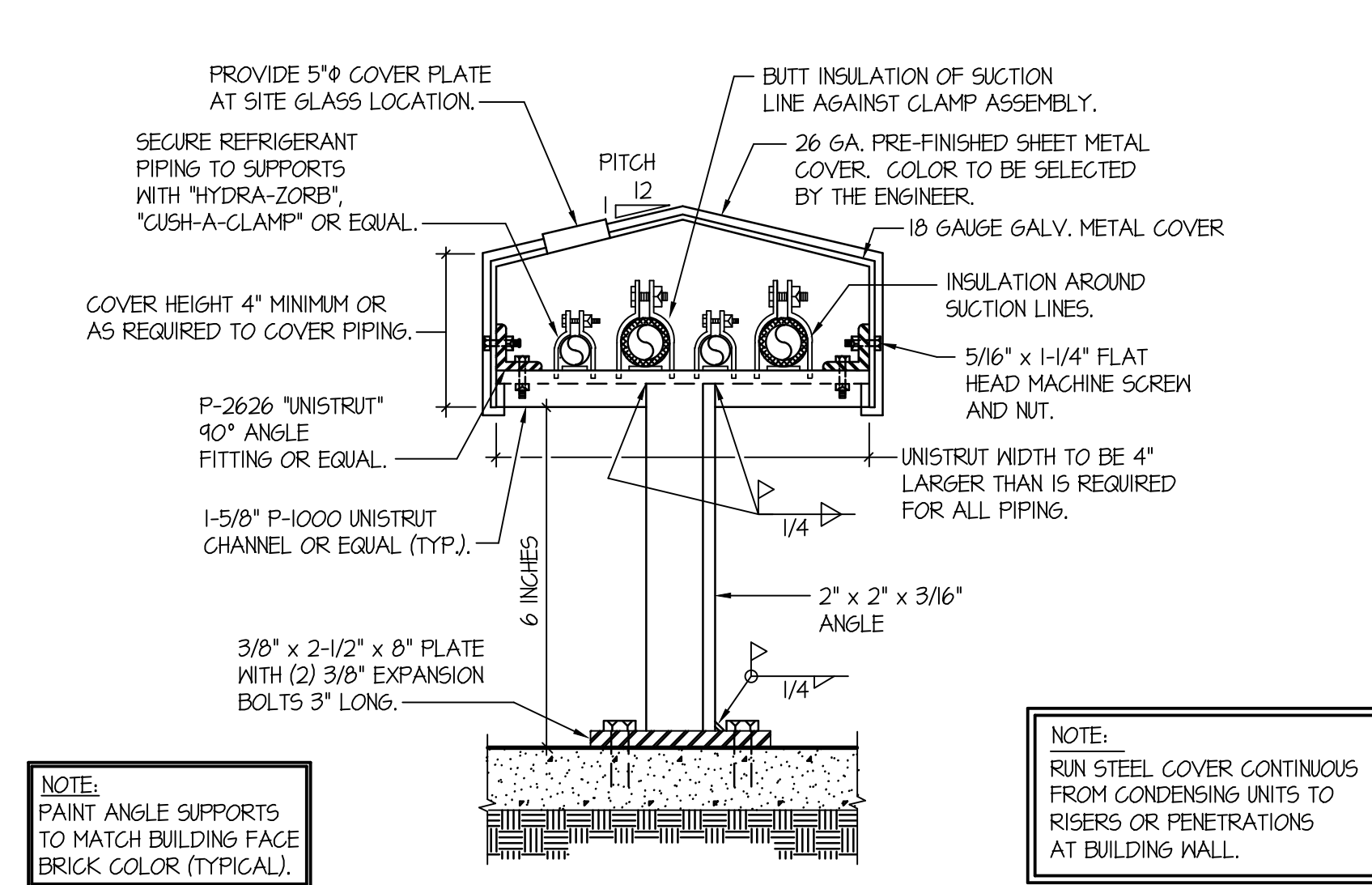


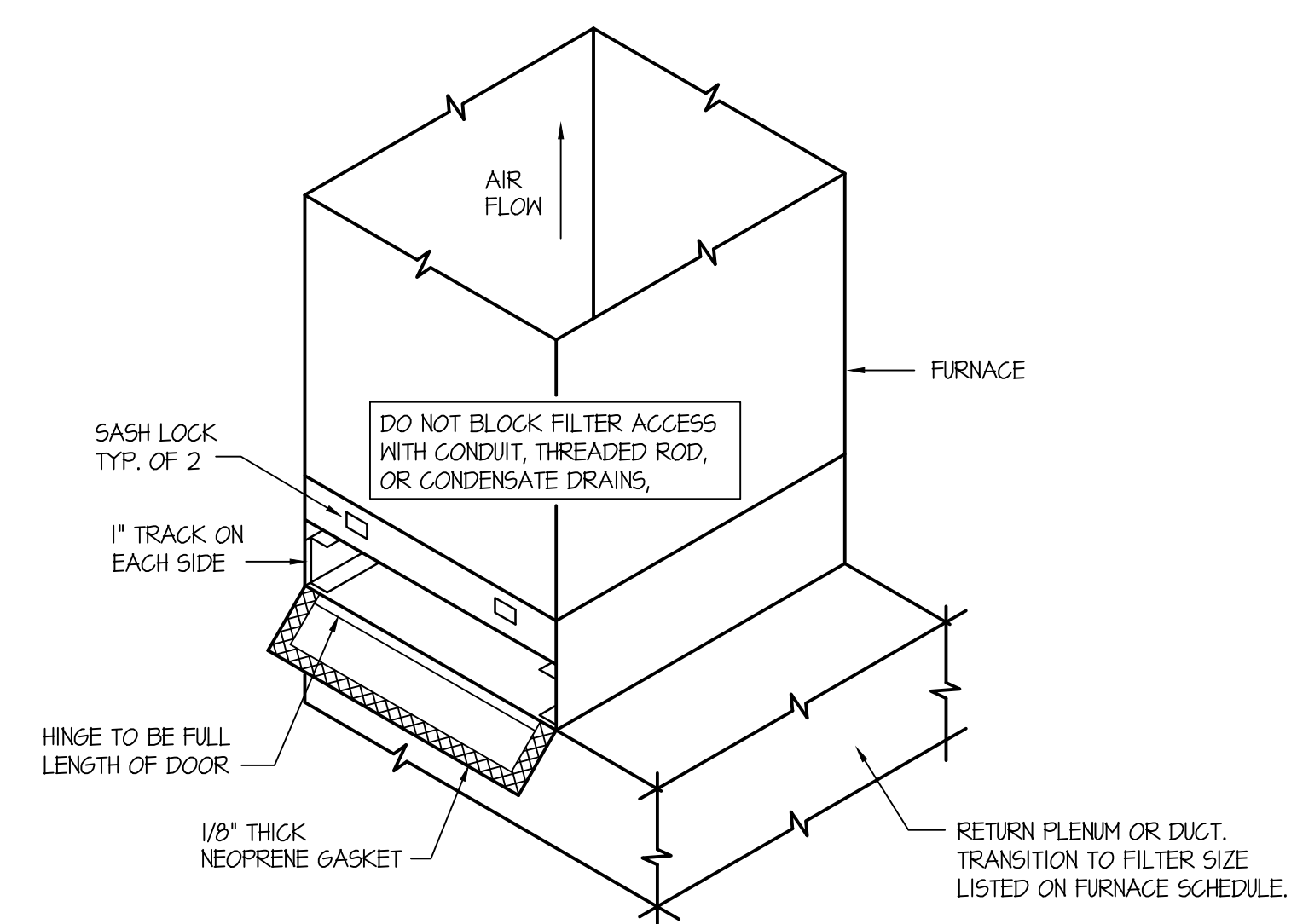
**CEILING DIFFUSER DETAIL WITH FLEXIBLE DUCT**  
NO SCALE



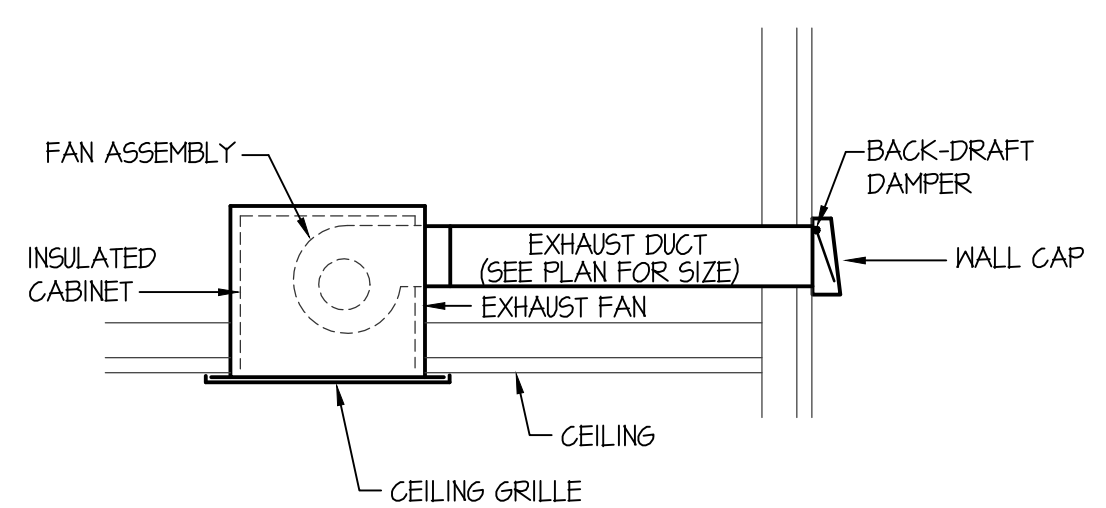
**CONCENTRIC VENT TERMINATION DETAIL**  
NO SCALE



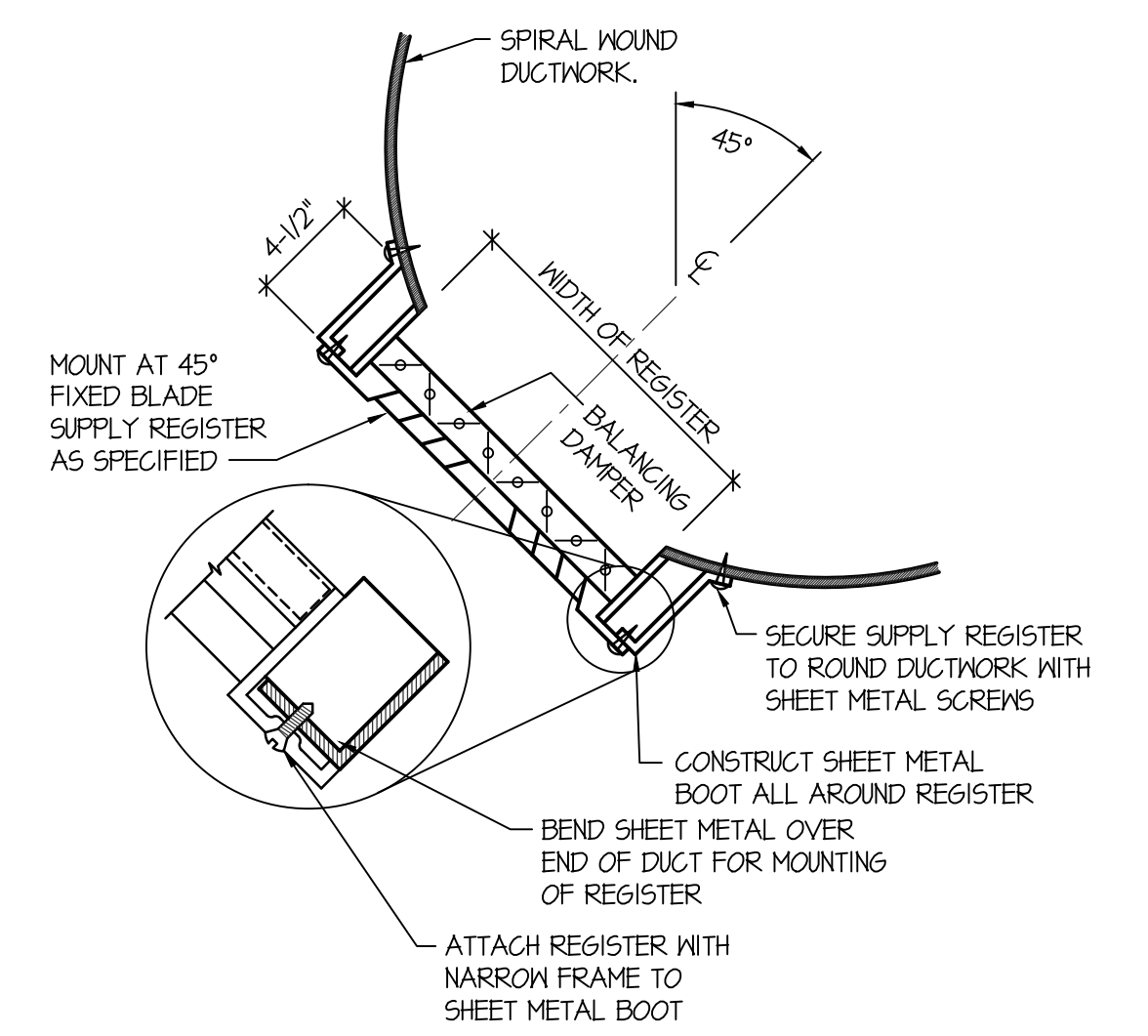
**REFRIGERANT PIPE SUPPORT DETAIL**  
NO SCALE



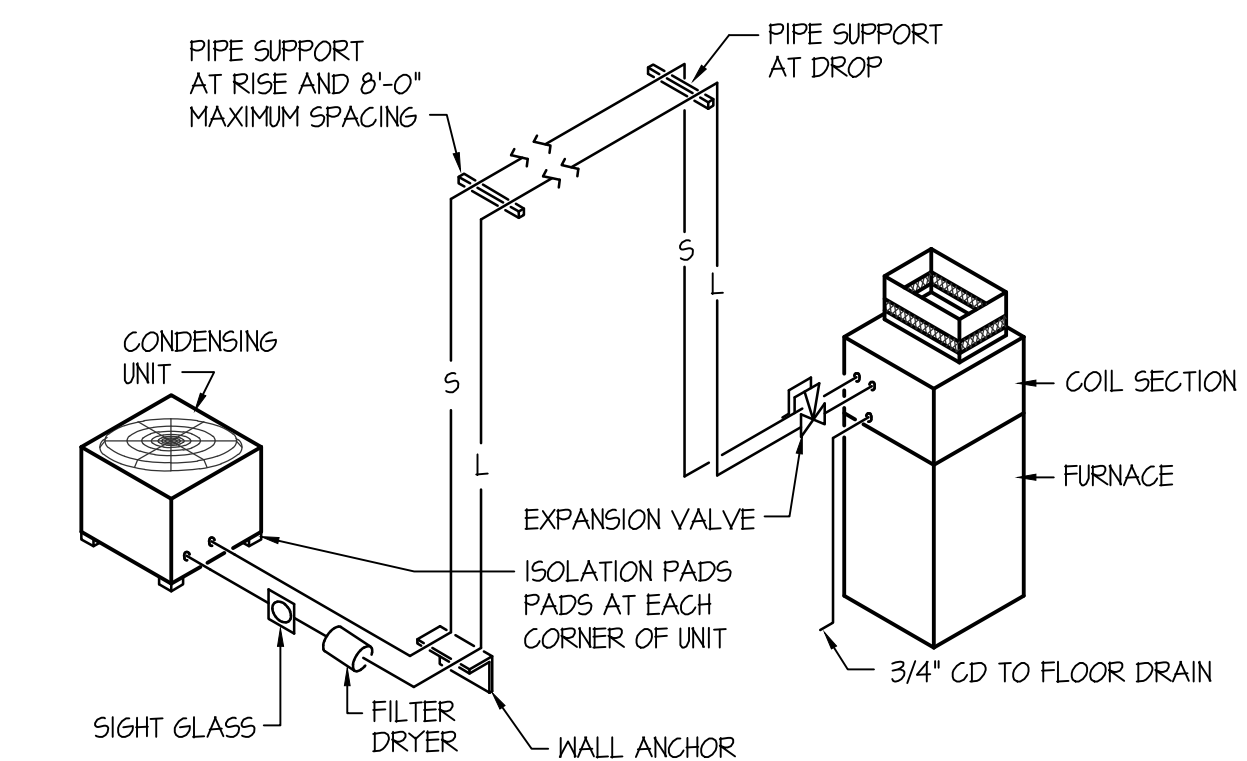
**EXTERNAL FILTER SECTION DETAIL**  
NO SCALE



**CEILING MOUNTED EXHAUST FAN DETAIL**  
NO SCALE



**REGISTER INSTALLATION DETAIL**  
NO SCALE



**REFRIGERANT PIPING DIAGRAM**  
NO SCALE

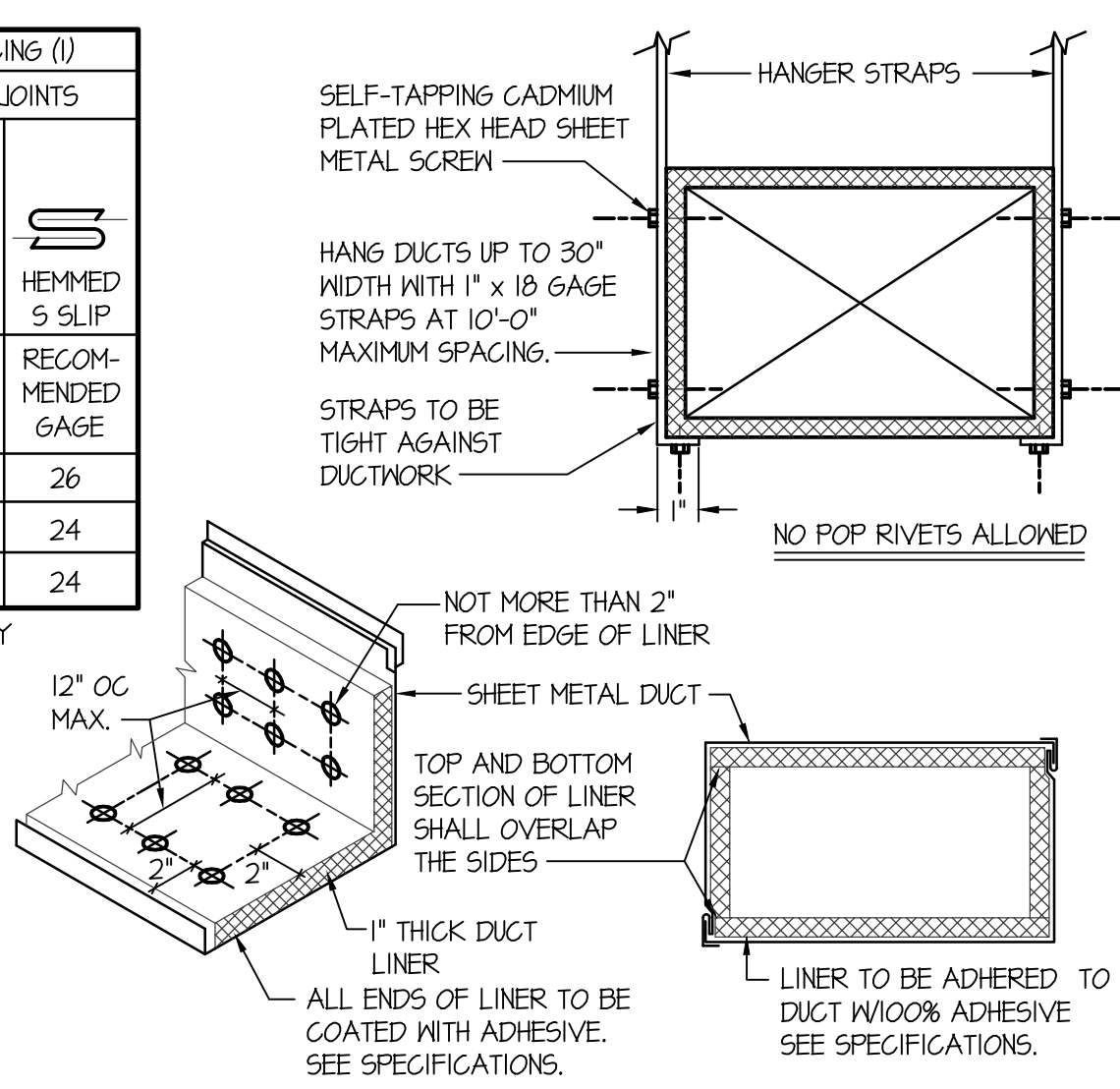
DIMENSION OF LONGEST SIDE, INCHES	SHEET METAL GAGE (ALL FOUR SIDES)	TRANSVERSE REINFORCING (1)	
		MINIMUM REINFORCING ANGLE SIZE AND MAXIMUM LONGITUDINAL SPACING BETWEEN TRANSVERSE JOINTS 4\"/>	
UP THRU 12	26	NONE REQUIRED	26
13 - 18	24	NONE REQUIRED	24
19 - 30	24	1"x1/8" @ 60 IN	24

(1) TRANSVERSE REINFORCING SIZE IS DETERMINED BY DIMENSION OF SIDE TO WHICH ANGLE IS APPLIED.

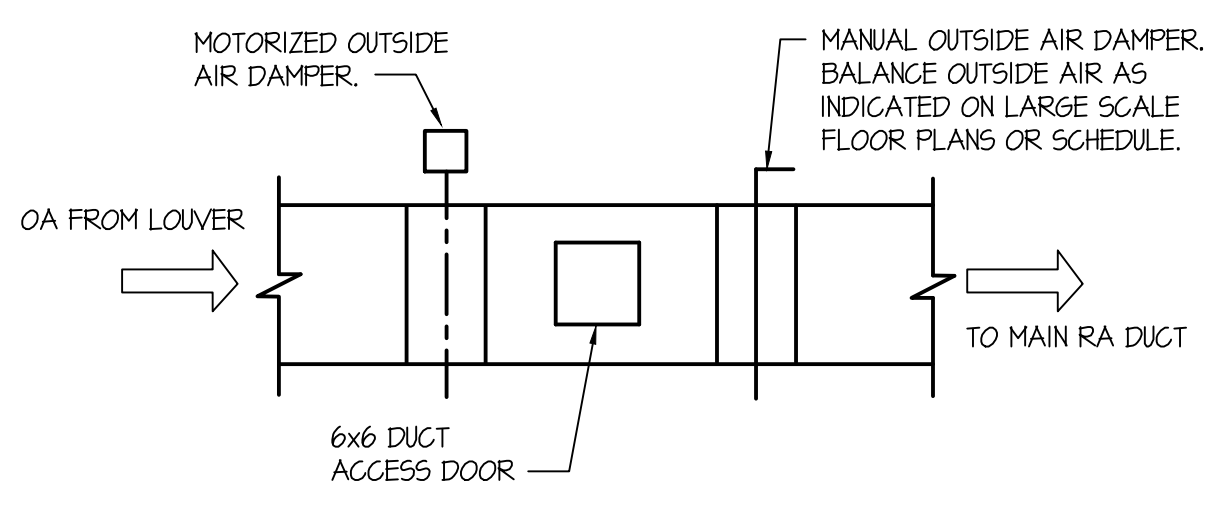
METAL FASTENERS - O MARK INSULPING, DURO DYNE FASTENERS OR GRIPNAILS.

GRIP NAILS SHALL BE INSTALLED BY GRIPNAIL AIR HAMMER OR BY AUTOMATIC FASTENER EQUIP.

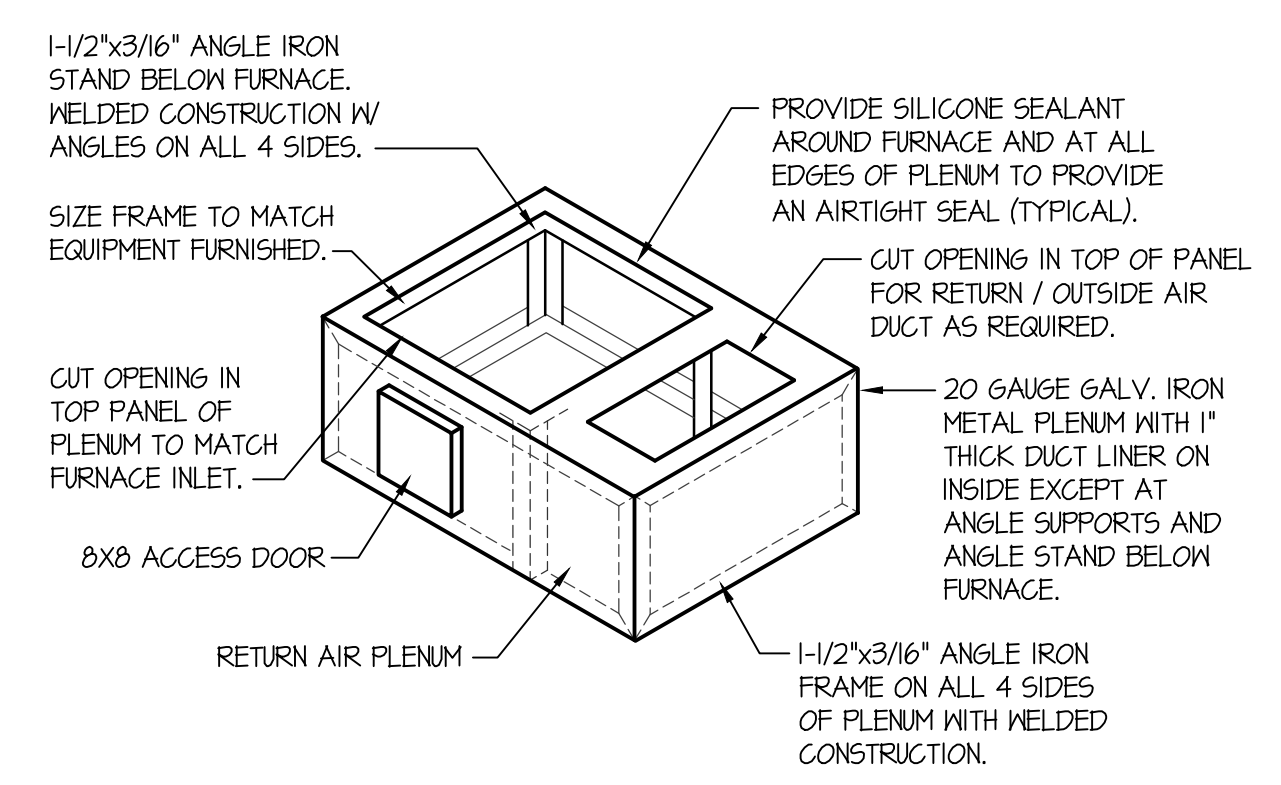
ENDS OF LINER SHALL BE BUTTED FIRMLY TOGETHER



**DUCT CONSTRUCTION AND HANGER DETAIL**  
NO SCALE

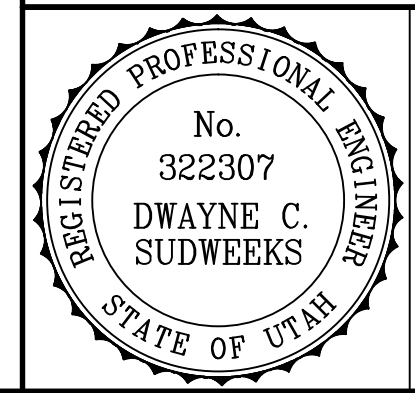


**TYPICAL OUTSIDE AIR DUCT DETAIL**  
NO SCALE



**RETURN AIR PLENUM DETAIL**  
NO SCALE

ORIGINAL DRAWING SIGNED BY: DWAYNE C. SUDWEEKS  
DATE ORIGINAL SIGNED: Jan 08, 2019  
ORIGINAL ON FILE AT ENGINEERED SYSTEMS ASSOCIATES  
1355 EAST CENTER, POCATELLO, IDAHO 83201



**Engineered Systems Associates**  
1355 EAST CENTER  
POCATELLO, IDAHO 83201  
PHONE: (208) 233-0501  
FAX: (208) 233-0529  
EMAIL: esa@engsystems.com  
ESA JOB NUMBER: 18102

New Tenant Improvement For:  
**WASATCH COWBOY CHURCH**  
5603 SOUTH 6700 WEST  
HOOPER, UT 84315

PROJECT: MOUNTAIN WEST ARCHITECTURE | 343 25TH STREET - OGDEN, UT 84401 | PH: 801-388-6052 | www.mountainwestarchitecture.com

SHEET TITLE: **MECHANICAL DETAILS**

SHEET NUMBER: **M200**  
DO NOT SCALE DRAWING